

## GENERAL CHARACTERISTICS

The visual level indicators ILC series are used to visually monitor the status of the level of liquids in tanks, and are equipped with a minimum or maximum level switch.

The indicators are mounted outside the tank by means of threaded connections. The system thus designed allows the vision of the level inside the tank at 360°.

- **Minimum or maximum level switch.**
- Minimum and maximum level switch on request.
- Rugged construction.
- Pipe made of acrylic material and unbreakable.
- Easy to install.

## TECHNICAL DATA Tab.1

Fittings Ø	Type	H mm	L1 mm	L2 mm	P max Bar	T max °C
2 x M12	ILC – 0127	127	48	48	2	80
	ILC – 0254	254	48	48	2	80
	ILC – 0300	300	48	48	2	80
	ILC – 0350	350	48	48	2	80
	ILC – 0400	400	48	48	2	80
	ILC – 0450	450	48	48	2	80
	ILC – 0500	500	48	48	2	80
	ILC – 0600	600	48	48	2	80
	ILC – 0700	700	48	48	2	80
	ILC – 0800	800	48	48	2	80
	ILC – 0900	900	48	48	2	80
	ILC – 1000	1000	48	48	2	80

H	Other lengths on request
L1 – L2	

## MATERIALS Tab.3

		Code
Connections	Anodized aluminium	D
Pipe	Methacrylate	PX
Threaded fittings	Nickel plated brass	B
Sealing OR	NBR	-
Float	PP	-

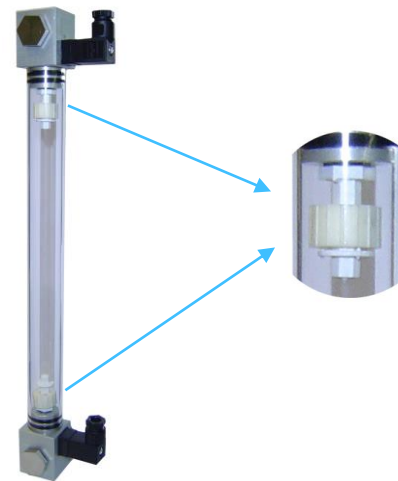
## INSTALLATION

The indicator is equipped with mobile terminals that allow to recover the distance errors of the mounting holes up to 4 mm.

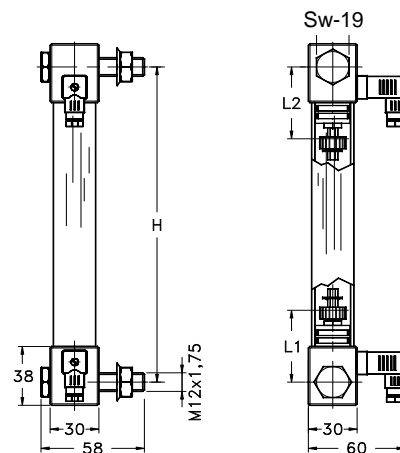
**Standard uses:** H<sub>2</sub>O, glycol, gasoline, hydrocarbons, mineral oils, vegetable oils, diesel fuel, ethanol 20%.

## NOMENCLATURE

ILC	0254	L1	48	L2	48	D	PX	B
•								
	•							
		•						
			•					
				•				
					•			
						•		
							•	
								•

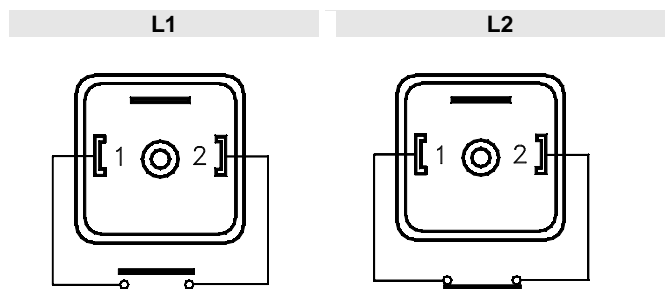


## DIMENSIONS Tab.2



## WIRING Tab.4

Independent	L1 = NO	Max. load 100V – 10VA – 10W – 0,5A
	L2 = NC	
Contacts status in no level condition		



	Name - type
Tab.1	Length / Mounting distance code
Tab.4	Minimum level contact <span style="float: right;">Standard</span>
Tab.2	Minimum level switch point
Tab.4	Maximum level contact <span style="float: right;">On request</span>
Tab.2	Maximum level switch point
Tab.3	Connections material
Tab.3	Pipe material
Tab.3	Fittings material